

# Base station battery cabinet 30kW



## Base station battery cabinet 30kW

---



### **SRB6 Battery Cabinet , Up to 30 kWh , Outdoor-rated , Floor-Mount**

The SRB6 Battery Cabinet is an outdoor-rated enclosure that can hold up to 6x SR5K-UL battery modules for a total energy capacity of 30 kWh. The cabinet is outdoor-rated with automatic, ...

[Get Price](#)

### **Energy Storage Cabinet Outdoor 20KW 50KWh/ 30KW 60KWh**

This energy storage cabinet is a PV energy storage solution that combines high-voltage energy storage battery packs, a high-voltage control box, an energy storage PV inverter, BMS, cooling systems (an ...



[Get Price](#)



### **Hybrid ESS Energy Storage Solutions with 30kW Lithium Battery , Anern**

With a capacity of 60KWH and a power output of 30KW, it supports peak shaving, load shifting, and renewable energy integration. Its all-in-one design simplifies installation and operation, while ...

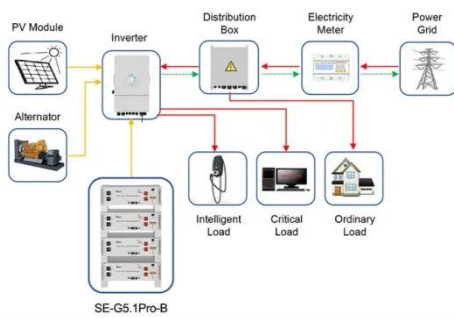
[Get Price](#)

## Commercial & Industrial ESS - Outdoor Cabinet

Looking for a versatile outdoor energy storage solution? Check out our 30 kW/90 kWh cabinet! Perfect for demand regulation, peak shifting, and C&I energy storage, with a flexible split design and easy. ...



[Get Price](#)



Application scenarios of energy storage battery products

## AlphaESS STORION-T30 Outdoor Battery Cabinet, Battery and ...

AlphaESS is able to provide outdoor battery cabinet solutions that are stable and flexible for the requirements of all our customer's battery and energy storage demands.

[Get Price](#)

## Commercial & Industrial ESS - Outdoor Cabinet

Looking for a versatile outdoor energy storage solution? Check out our 30 ...

[Get Price](#)



## 30kW All-in-One Commercial & Industrial Energy Storage

## System



This 30kW all-in-one commercial and industrial energy storage system integrates lithium batteries, inverter, and intelligent energy management into a single compact unit for stable, reliable operation.

[Get Price](#)

---

## HUA POWER All-in-One BESS - 30kW/60kWh PV + Battery ESS

...

Designed for commercial, industrial, and microgrid applications, it integrates a 30kW PCS with a 60kWh LiFePO4 battery bank to provide safe, efficient, and reliable power storage.



[Get Price](#)



## LV-Rack-30KWh Cabinet type battery energy storage cabinet

Easy Expansion: As energy needs grow, additional battery modules can be added without replacing the entire system, making it a cost-effective solution for expanding energy storage capacity.

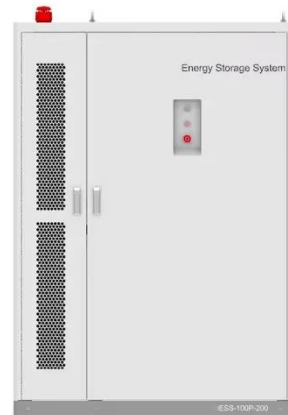
[Get Price](#)

---

## Energy Storage System Battery Cabinets LifePO4 Batteries 30Kw ...

30kW/60kWh outdoor integrated cabinet for industrial and commercial storage. Suitable for various industrial and commercial application scenarios such as industrial parks and commercial complexes, ...

[Get Price](#)



## Energy Storage Equipment, Energy storage solutions, Lithium battery

To cope with the problem of no or difficult grid access for base stations, and in line with the policy trend of energy saving and emission reduction, Huijue Group has launched an innovative

...

[Get Price](#)

## Contact Us

For catalog requests, pricing, or partnerships, please visit:  
<https://cannabiswow.es>

