

# Extruded aluminum enclosure

**FLEXIBLE SETTING OF  
MULTIPLE WORKING MODES**



## Extruded aluminum enclosure

---



### Extruded Aluminum Enclosures (1455 Series)

Hammond's unique 1455 series of extruded aluminum enclosures are available in a wide range of sizes and included internal ribs for mounting printed circuit boards. This series is available in clear, black, red, and blue ...

[Get Price](#)

---

### EXTRUDED ALUMINUM ENCLOSURE

Beautiful high-end finish is achieved by precision CNC finishing. Suitable for industrial and audio interface equipment. Selectable in 73 different sizes and 4 color combinations: Silver/Silver, Silver/Black, Black/Silver, ...



[Get Price](#)

---

### Extruded Aluminum Metal Enclosures , Newark Electronics



Buy Extruded Aluminum Metal Enclosures. Newark Electronics offers fast quotes, same day dispatch, fast delivery, wide inventory, datasheets & technical support.

[Get Price](#)

---

## Extruded Aluminum Enclosures , BOX , Custom Made by HTS-ALU

Extruded aluminum enclosures are box-shaped housings produced by aluminum extrusion, where heated aluminum billets are pushed through a precision die to form a continuous profile.



[Get Price](#)

### Lithium battery parameters

Product capacity: 100Ah

Product size: 135\*197\*35mm

Product weight: 1.82kg

Product voltage: 3.2V

internal resistance: within 0.5



## Extruded Aluminum Enclosures

Shop Bud Industries' extruded aluminum enclosures. These cost-effective NEMA and IP rated aluminum enclosures offer many benefits. Click here.

[Get Price](#)

## Aluminum Enclosure Extrusions

Extruded aluminum enclosures fulfill rugged housing requirements and are ideal for a wide range of hand-held, wireless, desktop or wall-mounted devices. Extrusions can be cut to custom lengths to fit your custom ...



[Get Price](#)

## Aluminum enclosure - Your Global Partner for Custom Aluminum Extrusions



The enclosure is crafted from a single piece of aluminum extrusion, ensuring excellent structural integrity and enhanced durability. The added flanges on the sides provide a convenient solution for secure mounting, ...

[Get Price](#)

## EXTRUDED ALUMINUM ENCLOSURE

Beautiful high-end finish is achieved by precision CNC finishing. ...

[Get Price](#)



*LiFePO<sub>4</sub> Battery, safety*

*Wide temperature: -20~55°C*

*Modular design, easy to expand*

*The heating function is optional*

*Intelligent BMS*

*Cycle Life: > 6000*

*Warranty: 10 years*



## Extruded Aluminum Enclosures

Custom extruded aluminum enclosures with 1U or 2U height profiles. Made with aluminum extrusions and panels. Ideal for PCB mounting with slotted rails. Six standard faceplate styles available. Fast turnaround, no ...

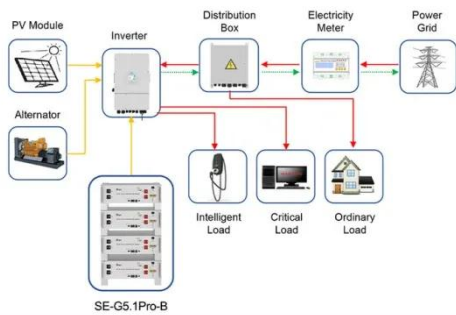
[Get Price](#)

## Aluminum Enclosures , EnclosureHub

These all-metal enclosures provide protection for all your electronics and

instrumentation needs. An extruded aluminum body and diecast aluminum end caps create an extremely durable yet lightweight enclosure, ...

[Get Price](#)



Application scenarios of energy storage battery products

## Extruded Aluminum Enclosures

Designed with internal slots, these aluminum extrusion cases allow standard 0.063" PCBs to slide securely into place without the need for screws. Ideal for desktop applications, they can also be paired with optional ...

[Get Price](#)

## Contact Us

For catalog requests, pricing, or partnerships, please visit:  
<https://cannabiswow.es>

