

Government office building installs solar energy storage system



Overview

The US Department of Defense will install rooftop solar on the Pentagon as part of the Biden administration's plan to “reestablish the federal government as a sustainability leader. ”. Because solar systems produce energy on site, they involve unique issues and processes. They include connecting the solar system to both an electrical system and building, understanding procurement options, and finding the most cost-effective solutions. Procurement Specifications Templates for. Reduce energy costs and show commitment to sustainability with solar energy from rooftops, parking lots, government and municipal buildings, schools, universities, and hospitals. This resource explores why government agencies are adopting these initiatives and offers guidance on how governments. The Dept. of Defense's Pentagon building in Arlington, Virginia.

Government office building installs solar energy storage system



Why Government Buildings Are Turning to Photovoltaic Energy

...

As global energy demands rise, government office buildings are increasingly adopting photovoltaic energy storage systems to reduce carbon footprints and operational costs.

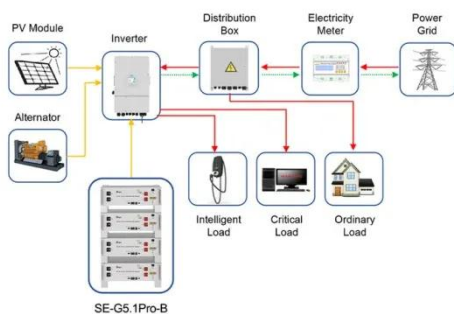
[Get Price](#)

Pentagon Among Federal Buildings Receiving Solar Funding

The Pentagon is one of 31 government sites receiving \$104 million in grants. The energy projects are expected to double the use of carbon-free electricity at federal facilities.



[Get Price](#)



Application scenarios of energy storage battery products

The Pentagon will install rooftop solar panels as Biden pushes clean

WASHINGTON (AP) -- The Defense Department will install solar panels on the Pentagon, part of the Biden administration's plan to promote clean energy and "reestablish the ...

[Get Price](#)

Rooftop Solar Energy on Government Buildings

In October 2024, the City of Louisville, KY announced the installation of rooftop solar panels on three Louisville government buildings as part of its Solarize Louisville program.

[Get Price](#)



Procuring Solar for Federal Facilities

These resources provide information and best practices for federal facilities interested in procuring on-site solar photovoltaic (PV) systems.

[Get Price](#)

Pentagon and more federal buildings are adding solar to their campuses

The Dept. of Energy recently announced \$104 million for energy conservation and clean energy projects at 31 federal facilities, including a new solar installation atop the Dept. of Defense's Pentagon ...

[Get Price](#)



Municipal & Government

Government buildings and municipal facilities consume a significant amount



of energy, which translates into high utility bills. By installing solar panels, these entities can generate their own ...

[Get Price](#)

SolarEdge solution for Public buildings , SolarEdge

The SolarEdge solution for public buildings includes PV harvesting on the roof or above outdoor parking lots, EV charging, energy storage and energy optimization--all from a single vendor, to maximize ...



[Get Price](#)



- ✓ ALL IN ONE
- ✓ 100Kw/174Kwh High Capacity
- ✓ Intelligent Integration

Designing Solar Energy Systems for Government Buildings

This article offers a comprehensive guide on creating effective solar energy systems for government buildings by leveraging principles of business intelligence and data analytics.

[Get Price](#)

The Pentagon is getting rooftop solar , Electrek

The US Department of Defense will install rooftop solar on the Pentagon as part of the Biden administration's plan to "reestablish the federal government as a sustainability leader."

[Get Price](#)



Contact Us

For catalog requests, pricing, or partnerships, please visit:
<https://cannabiswow.es>

