

How many items can a locker hold



Overview

A standard phone locker typically holds between 10 and 60 devices per unit, though high-capacity industrial cabinets can accommodate upwards of 300 slots. To find the right fit, you must calculate your total user headcount and add a 10-15% buffer for guests and larger modern devices. Step One: Make a quick list of items you plan to store, including furniture, appliances, and any awkwardly-shaped items that will not be packed in boxes. Step Two: Estimate how many boxes you will place in your storage unit. Step Three: Use our visual Storage Unit Size Guide below to assess which. Unlike a traditional storage unit, a storage locker is a smaller option used to store items that you need to access more easily without sifting through an oversized unit. Due to smaller size, lockers can be more affordable. By considering these factors, you can select lockers that maximize storage efficiency and meet user requirements. In this guide, we'll explore key considerations for picking the. About the size of a walk-in closet, 5'x10' units can hold 15 packed boxes, or slightly fewer boxes if packed alongside larger pieces of furniture.

How many items can a locker hold

Home Energy Storage (Stackble system)



- Product Introduction**
- 1 Scalable from 10 kWh to 50 kWh
 - 2 Self-Consumption Optimization
 - 3 Integrated with inverter to avoid the compatibility problem
 - 4 LFP battery, safest and long cycle life
 - 5 Stackable design, effortless installation
 - 6 Capable of high-powered Emergency Backup and Off-Grid Function

What fits in a Storage Locker? , The Storage Space

Things like luggage, small appliances, books and sports equipment fit well in storage lockers. Lockers resemble a large closet in terms of depth but at half the height. Other than truly ...

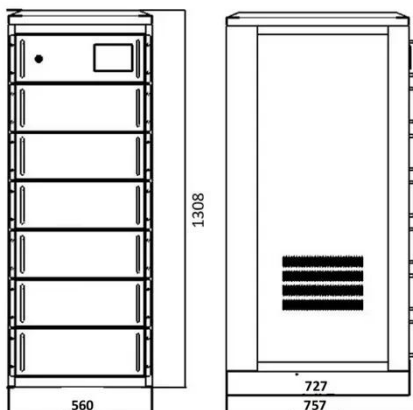
[Get Price](#)

Storage Unit Size Guide

Choose the right storage unit size for your needs. Options range from a storage locker, 5 x 5 storage unit and up to a 10 x 30 storage unit. Find what the right fit is for your storage needs today!



[Get Price](#)



Standard Locker Sizes with Diagram

Shelves are ideal for storing paperwork, books, and files, or smaller personal belongings such as jewelry, watches, cell phones, and wallets. Most lockers will be equipped with a hook inside ...

[Get Price](#)

Self Storage Locker Size Guide

, Kennards Self Storage

Our storage lockers come in a range of sizes. Check out our storage locker size guide to help you determine what will fit in each of our available lockers.

[Get Price](#)



What Size Unit Do You Need

Things like luggage, small appliances, books and sports equipment fit well in storage lockers. Lockers resemble a large closet in terms of depth but ...

[Get Price](#)

How to Choose the Right Locker Size for Your Facility: A Complete ...

The ideal locker size depends on the available space, the items to be stored, and the specific needs of your facility. By considering these factors, you can select lockers that maximize storage efficiency ...

[Get Price](#)



How many lockers do I need for my workplace? , Locker Calculator



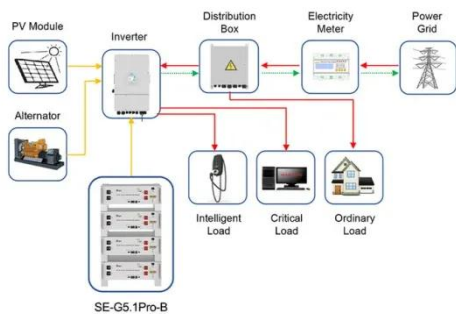
Looking to plan for your next office fitout? Find out how many lockers you need, depending on the use, hot desk policies and headcount.

[Get Price](#)

Storage Unit Size Calculator , Storage Locker

Use our storage unit size calculator to find the right size storage locker for you, plus read some tips on picking a storage company!

[Get Price](#)



Application scenarios of energy storage battery products

What Size Unit Do You Need

We've compiled a list of all the sizes we offer and what types of items they have capacity to hold. Extra Space Storage offers a wide range of self storage unit sizes. Each location is a little different.

[Get Price](#)

How Many Phones Can a Phone Locker Hold? Capacity Planning

A standard phone locker typically holds between 10 and 60 devices per unit, though high-capacity industrial cabinets

can accommodate upwards of 300 slots.
To find the right fit, you must ...

[Get Price](#)



How much storage can the locker hold? , NenPower

From a broader perspective, economic factors play a significant role in determining how much storage a locker can feasibly hold. The costs associated with producing larger lockers or those ...

[Get Price](#)

Contact Us

For catalog requests, pricing, or partnerships, please visit:
<https://cannabiswow.es>

