

How to see the power of photovoltaic panels with naked eyes



Overview

Here's the thing: the most dangerous solar panel problems are ones you can't see with your naked eye. That's where special imaging tools come in. Two techniques - Photoluminescence (PL) and Electroluminescence (EL) imaging - act like X-rays for your solar panels. Efficiency Improvement: Monitoring data enables fine-tuning for improved efficiency. Energy. ☐☐ Learn how to test solar panels using a multimeter — step-by-step! I'll show you how to safely check voltage, amperage, and open-circuit power, so you can confirm if your panels are producing the watts you expect. Perfect for DIY solar builders, RV owners, o. more Audio tracks for some languages. Shanghai BigEye Technology Co. At BigEye, We recognize that commitment to quality is the key to customer satisfaction and reaching new service levels. Visual inspection of PV modules is usually conducted under standard testing conditions (STC) from mul nalysis and characterization of faults in photovoltaic (PV) modules.

How to see the power of photovoltaic panels with naked eyes



How to check the power of solar photovoltaic panels

In summary, checking the power of solar photovoltaic panels involves several critical steps: using multimeters accurately to measure, understanding the factors affecting output, ...

[Get Price](#)

Distinguishing the quality of photovoltaic panels with the naked eye

Electroluminescence (EL) images enable defect detection in solar photovoltaic (PV) modules that are otherwise invisible to the naked eye, much the same way an x-ray



[Get Price](#)



portable EL tester, solar panel defect detector, solar module tester, PV

The portable EL detector is used to detect the hidden cracks, fragments, virtual welding, black film, broken grid and mixed file and other defects of photovoltaic cell modules.

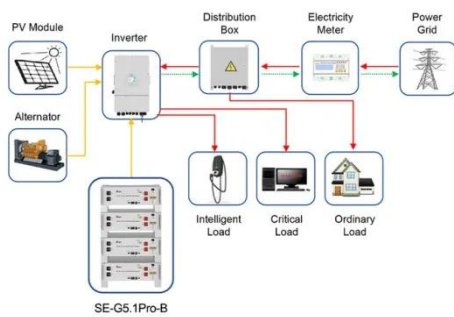
[Get Price](#)

How PL and EL Imaging Keep Your Solar Panels Performing at Their ...

Two techniques - Photoluminescence (PL) and Electroluminescence (EL) imaging - act like X-rays for your solar panels. They reveal hidden issues before they cause real problems. Let's ...



[Get Price](#)



Application scenarios of energy storage battery products

An Essential Guide to Measuring and Monitoring Solar Power for

Learn how to effectively measure and monitor your solar power system with our essential beginner's guide.

[Get Price](#)

How to View Solar Photovoltaic Panels: A Practical Guide

This guide breaks down simple methods to inspect photovoltaic systems, spot potential issues, and maximize energy output. Perfect for homeowners and businesses alike!

[Get Price](#)

- LiFePO₄ Battery, safety
- Wide temperature: -20~55°C
- Modular design, easy to expand
- The heating function is optional
- Intelligent BMS
- Cycle Life: > 6000
- Warranty: 10 years



Measuring the Power of a Solar Panel

Measuring the power of a solar panel is not too difficult but requires an assortment of digital multimeters, power

resistors, or a single rheostat capable of handling the generated power.

[Get Price](#)



How to Measure Photovoltaic Panel Power Like a Pro (Without Losing ...

Let's face it - measuring photovoltaic panel power isn't as simple as reading a nutrition label. I once watched a homeowner try to assess his solar array's output using a kitchen thermometer.

[Get Price](#)



OEM service

Hot Colors:



Color can be customized
more questions just do not hesitate to contact us

LOGO Position: (Screen printing)



Photovoltaic panel detection with naked eyes

How deep learning techniques are used in solar PV visual fault detection? This paper provides a comprehensive overview of the deep learning techniques used in solar PV visual fault detection. ...

[Get Price](#)

Test Any Solar Panel in Minutes with a Multimeter

I'll show you how to safely check voltage, amperage, and open-circuit power, so you can confirm if your panels are producing the watts you expect.

[Get Price](#)



Contact Us

For catalog requests, pricing, or partnerships, please visit:
<https://cannabiswow.es>

