

# Is the secondary solar container lithium battery pack durable



## Overview

---

Lithium-ion batteries in these containers last about six years. Secondary lithium battery packs are the backbone of modern energy storage systems, powering everything from electric vehicles to renewable energy grids. MEOX makes solutions for homes and businesses. The table below shows why picking the right size is important for steady. Today's gold standard for solar containers Why it's a favorite: This battery is a workhorse. Whether you're a manufacturer, distributor, or end-user, understanding these packaging principles could mean the difference between a reliable power source and a hazardous situation. Our design incorporates safety protection. When choosing a solar battery container for your energy storage system, prioritize models with robust thermal management, IP65 or higher ingress protection, modular scalability, and UL-certified components—especially if you're setting up an off-grid cabin, commercial backup system, or integrating.

## Is the secondary solar container lithium battery pack durable

---



### Understanding the Lifespan of Secondary Lithium Battery Packs: Key

Secondary lithium battery packs are the backbone of modern energy storage systems, powering everything from electric vehicles to renewable energy grids. This article explores the factors affecting ...

[Get Price](#)

---

### What Batteries Are Solar Containers Using? A Down-to-Earth ...

Today's gold standard for solar containers. Why it's a favorite: This battery is a workhorse. It's very stable, tolerant of high temperatures, and doesn't lose its capacity quickly over ...



[Get Price](#)

---



### SolaraBox Solar Containers , Products & Configurations

Folding PV arrays in the container -- capture sunlight efficiently, designed for quick deployment and durable outdoor operation. Lithium battery modules and a battery management system for energy ...

[Get Price](#)

## Lithium-ion batteries and the future of sustainable energy: A

Li-ion batteries have been outstanding for these energy storage systems due to several factors, such as their high energy density, long cycle life, and fast charging capabilities, making them ...

[Get Price](#)



## Solar Battery Life Questions Answered for Container Sizing

Solar battery life in a MEOX container can last 10 to 15 years if you take care of it. Picking the right solar battery size helps store more solar energy and keeps power on.

[Get Price](#)

## Learn About the Different Types of Battery Packaging

Whether it's a lithium-ion, alkaline, solar, or car battery, each requires special handling and packaging solutions. Whether you're a manufacturer, distributor, or end-user, understanding ...

[Get Price](#)



## How to Choose the Best Solar Battery Container: A Complete Buying ...

**FLEXIBLE SETTING OF  
MULTIPLE WORKING MODES**

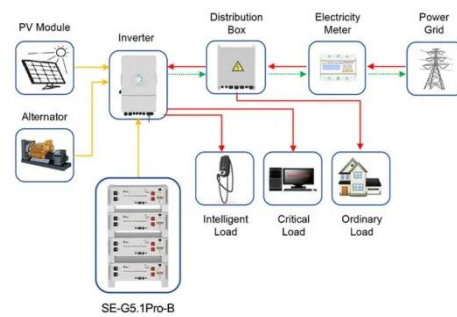


Solar battery containers offer plug-and-play functionality, reducing installation time and engineering complexity. Governments and NGOs also favor these systems for disaster relief and ...

[Get Price](#)

**Containerized energy storage ,  
Microgreen.ca**

Microgreen offers large-scale energy storage that is reliable in harsh environments, cost effective with top energy density, and provides best return on investment.



Application scenarios of energy storage battery products

[Get Price](#)



**Solar container lithium battery  
is a battery pack**

Summary: This article explores the critical aspects of lithium battery box pack design, focusing on applications across renewable energy, transportation, and industrial sectors.

[Get Price](#)

**UNDERSTANDING PRIMARY VS  
SECONDARY LITHIUM**

Are vantom power lithium batteries good in Yemen? Vantom Power Lithium Batteries in Yemen are known to have

superior quality and are much more durable than batteries from other countries.

[Get Price](#)



---

## Contact Us

For catalog requests, pricing, or partnerships, please visit:  
<https://cannabiswow.es>

