

Let s take a look at the 220V inverter



Let s take a look at the 220V inverter



220 Volt Inverter: The Ultimate Guide to Choosing the Right One

One solution that has gained popularity is the 220 volt inverter, which converts direct current (DC) into alternating current (AC). This guide aims to provide an in-depth understanding of 220 volt inverters, ...

[Get Price](#)

Buyer's Guide for 220 Volt Inverters , 220 Volt Appliances , 240 Volt

The modified sine inverter is more cost-effective than true sine wave inverter. A pure sine inverter will definitely provide you the best electric current but it will be more expensive. So you need to decide before hand what ...

[Get Price](#)



Best 220 Volt Power Inverters for Reliable Home and Vehicle Use

The inverter integrates a soft start system and comprehensive protections such as overvoltage, overload, short circuit, and temperature control, plus an LCD display that monitors operation

parameters for ...

[Get Price](#)



Ultimate Guide to 220V Inverter Assembly Parts: Key Components ...

Learn how to assemble a reliable 220V inverter system with precision. Discover critical parts, industry trends, and actionable insights for manufacturers and DIY enthusiasts.

[Get Price](#)



Inside a 12V to 220V Power Inverter , Full Teardown

Ever wondered what's inside a 12V DC to 220V AC power inverter? In this detailed teardown, we open up the aluminum casing and explore the internal design and components that make this voltage

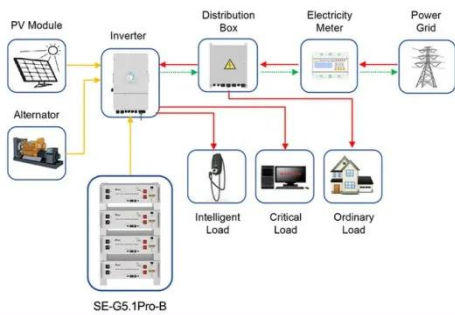
[Get Price](#)

220V Power Inverter Brief Introduction

When buying the 220v power inverter,

we should pay attention to the parameters, including rated output power, maximum output power, peak power, input voltage, output voltage, output frequency, efficiency, load current, ...

[Get Price](#)



Application scenarios of energy storage battery products

12vdc To 220vac Power Inverter Circuit Diagram

So, what should you consider when building a 12V DC to 220V AC power inverter circuit? First, let's take a look at the components you'll need to build one: 12V DC power source, 220V AC load, ...

[Get Price](#)

Inverter 220V: Global Power Video Tutorials , ReelMind

Inverter 220V technology is revolutionizing how we manage and utilize power across residential, commercial, and industrial applications. As global energy demands rise, understanding inverters--devices that convert DC ...

[Get Price](#)



Best 220 Volt Power Inverters for Cars, Homes, and Solar Systems



Choosing the right 220 volt power inverter can make a big difference when powering your electronics on the go or at home. Whether you need an inverter for your car, RV, solar setup, or emergency

...

[Get Price](#)

Amazon : 220 Volt Inverter

High-Power 4000W DC to AC Power Inverter - 12V to 110V/220V Converter with Dual USB Ports, Universal AC Outlet, LED Display for Cars, Trucks, RVs, and Home Backup (Black, 220V)



[Get Price](#)

Contact Us

For catalog requests, pricing, or partnerships, please visit:
<https://cannabiswow.es>

