

# Photovoltaic panel factory certificate

**FLEXIBLE SETTING OF  
MULTIPLE WORKING MODES**



## Overview

---

This article explores essential solar panel certifications and testing standards, detailing their critical role in ensuring panel quality, safety, and performance, and outlines necessary installer qualifications. Build confidence and offer peace of mind with reliable solar factory certification from UL Solutions. Published standards in combination with conformity assessment provide a solid foundation upon which to verify existing practices and build confidence in new technologies. In the rapidly evolving world of renewable energy, solar panels stand at the forefront. With input from many PV sector leaders and stakeholders, CSA Group developed a definitive best practice document for all PV testing protocols: CSA EXP450 Photovoltaic (PV) Module Testing Protocol for Quality Assurance Programs.

## Photovoltaic panel factory certificate

---



### PV Module Certification

Learn how UL Solutions' certification services can help you demonstrate the suitability of your PV modules for use in extreme environments.

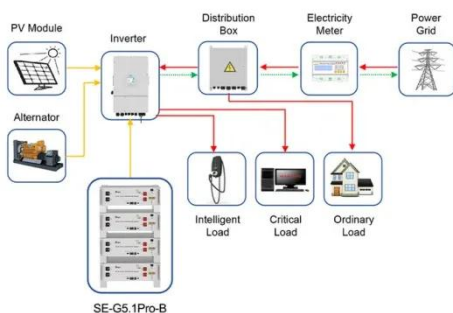
[Get Price](#)

## Solar Panel Certifications Overview

This article explores essential solar panel certifications and testing standards, detailing their critical role in ensuring panel quality, safety, and performance, and outlines necessary installer ...



[Get Price](#)



Application scenarios of energy storage battery products

### Solar Panel Certifications: A Guide to IEC, UL & CE Marks

Understand the key certifications for PV module manufacturing. Our guide covers IEC, UL, and CE certification for solar energy to ensure safety and market access.

[Get Price](#)

## Photovoltaic Module Testing

## and Certification , WO , TÜV Rheinland

At our ISO 17025 accredited laboratories around the globe, we test and certify PV modules according to national and international standards, including IEC 61215 and IEC 61730.

[Get Price](#)

18650<sup>3.7V</sup>  
Li-ion  
RECHARGEABLE BATTERY  
**2000mAh**



## Solar Panel Factory Inspections

UL Solutions can help you demonstrate your commitment and accountability to common technical requirements for solar factories with an objective factory certification.

[Get Price](#)

## Solar Panel Certifications TÜV, CE and Standards IEC 61215 & 61730

Confused by solar panel certifications? This straightforward guide breaks down IEC 61215 and IEC 61730 standards, explaining how they test for quality and safety. Discover why ...

[Get Price](#)



## Photovoltaic (PV) Module Testing & Certification , TÜV SÜD



Beyond leading to international market access and global recognition, PV module testing and certification services identify potential improvements in your manufacturing process.

[Get Price](#)

---

## Photovoltaic Product Testing & Certification , CSA Group

Let CSA Group test and certify your PV modules in a way that combines our signature expertise, speed, and customer support. We test and certify PV racking and tracking systems--full or component ...



[Get Price](#)



## PV Module Certification , SGS USA

Our PV module certification services provide you with photovoltaic module testing and certification to ensure that your modules meet the required international standards and confirm quality testing by an ...

[Get Price](#)

---

**Contact Us**

For catalog requests, pricing, or partnerships, please visit:  
<https://cannabiswow.es>

