

Photovoltaic tracking bracket power generation competition



Overview

Key drivers propelling the photovoltaic tracking bracket market include the pursuit of higher solar energy yields, increased efficiency in solar power generation, and reducing the levelized cost of electricity (LCOE). These tracking systems improve energy generation efficiency, enhance overall system performance, and increase the return on. The global PV tracking bracket market, valued at \$39,550 million in 2025, is experiencing robust growth, projected to expand at a Compound Annual Growth Rate (CAGR) of 11.1% during the forecast period from 2024 to 2030.

Photovoltaic tracking bracket power generation competition



PV Tracking Bracket Market Trends , Report [2035]

These facts underline the PV Tracking Bracket Market Size, Share, Growth, and Industry Analysis, By Type and Application, with significant potential toward 2033. Download FREE Sample to ...

[Get Price](#)

Photovoltaic Tracking Bracket Market Size & Share From 2025 To 2033

As more individuals and businesses look to reduce their carbon footprint and energy costs, the demand for solar energy systems that use photovoltaic tracking brackets is expected to continue to grow.



[Get Price](#)



Photovoltaic Tracking Bracket Market Demand and Growth Insights 2024

Key drivers propelling the photovoltaic tracking bracket market include the pursuit of higher solar energy yields, increased efficiency in solar power generation, and reducing the levelized cost of electricity ...

[Get Price](#)

PV Tracking Bracket Market Share, Forecast , Growth Analysis [2033]

The global PV Tracking Bracket Market has experienced tremendous growth in recent years, fueled by technological innovation and growing demand from different industries. The market ...

[Get Price](#)

Pv Tracking Bracket Market: Future Outlook and Trends 2035

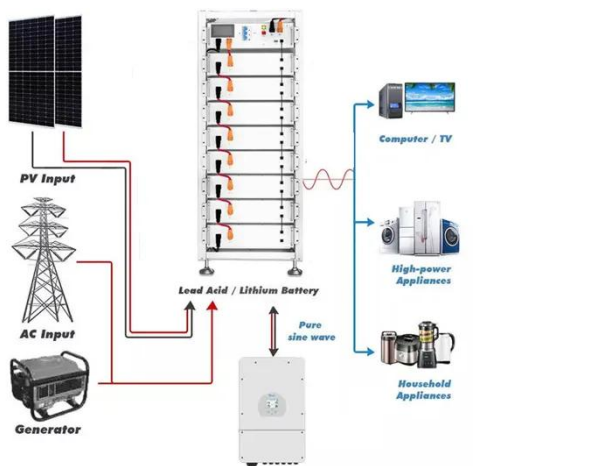
Key Market Trends Insights o The Global PV Tracking Bracket Market is set for significant growth, with an expected CAGR of 7.8% from 2025 to 2035, driven by increasing investments in renewable ...

[Get Price](#)

Photovoltaic Tracking Bracket Market - Size, Share, Trends, Analysis

Market saturation, competition, and commoditization of PV tracking technology, leading to price pressures, margin erosion, and consolidation among manufacturers and suppliers in the Photovoltaic ...

[Get Price](#)



Analysis of the value and future demand of photovoltaic tracking

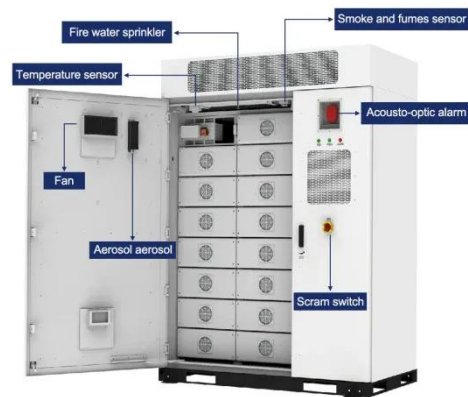
In recent years, with the improvement of the cost-effectiveness of photovoltaic intelligent tracking brackets and the growth of photovoltaic demand, the global shipments of tracking brackets ...

[Get Price](#)

PV Tracking Bracket 2025-2033 Trends and Competitor Dynamics: ...

The PV tracking bracket market is experiencing robust growth, driven by the global expansion of solar energy capacity. Between 2019 and 2024 (historical period), the market ...

[Get Price](#)



Photovoltaic Tracking Bracket Market

The adoption of photovoltaic (PV) tracking brackets in utility-scale solar projects is heavily influenced by several critical factors, including efficiency gains, cost reduction, technological ...

[Get Price](#)



Photovoltaic Tracking Bracket Market Size, Research, Trends

As countries around the globe adopt

cleaner energy policies, the relevance of solar tracking systems becomes increasingly pronounced, creating a significant demand for innovative bracket solutions that ...

[Get Price](#)



Analysis of the value and future demand of photovoltaic

...

In recent years, with the improvement of the cost-effectiveness of ...

[Get Price](#)

Contact Us

For catalog requests, pricing, or partnerships, please visit:
<https://cannabiswow.es>

