

Sodium-ion battery energy storage for home



Sodium-ion battery energy storage for home



Sodium-ion Batteries: The Future of Energy Storage

With the rising need for affordable and sustainable energy storage solutions, sodium-ion batteries are increasingly being considered as a promising alternative to the ubiquitous lithium-ion ...

[Get Price](#)

Sodium ion batteries: A sustainable alternative to lithium-ion

The convergence of these breakthroughs' positions sodium-ion technology not merely as a low-cost alternative to lithium, but as a strategically sustainable and scalable solution for next ...



[Get Price](#)

Sodium Ion Battery Home Storage Supplier , Lyrasom



Ideal for residential solar integration, sodium ion battery home storage supports scalable systems from 10kWh to 20kWh. Environmental benefits include reduced mining impacts and recyclability, making ...

[Get Price](#)

Sodium Ion Batteries for Residential Energy Storage

Discover groundbreaking research on extending sodium-ion battery lifespan for residential energy storage. Learn about innovative solutions for long-lasting power.

[Get Price](#)



Freen Presents Innovative Sodium-Ion Home Energy Storage Solution

This innovative product is now available for order, providing homeowners with a sustainable and efficient energy storage solution. The Freen Home Energy Storage is designed to provide reliable power ...

[Get Price](#)

PowerCap Unveils Sodium-Ion Battery for Homes

PowerCap has unveiled an innovative Sodium-ion Battery system tailored for home energy storage. This advancement offers a sustainable, safe, and cost-effective alternative to ...

[Get Price](#)



Sodium Ion Home Battery: The Future Of Household Energy Storage



As the world transitions to renewable energy sources, there is an increasing demand for home energy storage solutions. In this paper, we will explore sodium ion home battery, analyzing, application ...

[Get Price](#)

The Sodium-Ion Battery Revolution Has Started

BYD's sodium battery factory has a massive planned capacity of 30 GWh annually. These companies mean business. Sodium ion is here to stay. These developments point the way to ...



[Get Price](#)



Home Battery Sodium-Ion Systems for Reliable Backup Power

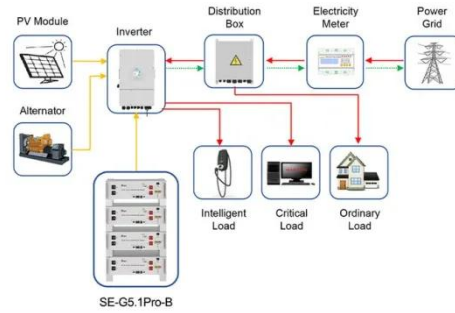
Sodium-ion batteries are compatible with solar panels or wind turbine for home, providing efficient energy storage for renewable systems. They store excess solar energy during the day, ensuring ...

[Get Price](#)

Sodium-Ion Battery for Home Storage: Best Brands & Buyer's Guide ...

The energy storage revolution has arrived, and it isn't powered by lithium alone. As we settle into 2026, sodium-ion batteries (SIBs) have graduated from experimental labs to real-world ...

[Get Price](#)



Application scenarios of energy storage battery products

Contact Us

For catalog requests, pricing, or partnerships, please visit:
<https://cannabiswow.es>

