

Solar container battery cabinet system

114KWh ESS



PICC
QUALITY ASSURANCE

RoHS



MSDS

UN38.3

**UK
CA**



Solar container battery cabinet system



Solar Container , Large Mobile Solar Power Systems

Discover our range of innovative solar panels on shipping container products engineered to meet your renewable energy needs with maximum efficiency and reliability.

[Get Price](#)

Custom Solar Battery Storage Cabinets with NEMA 3R Enclosures -- ...

Discover E-abel's custom UL-certified solar battery storage cabinets with NEMA 3R enclosures, designed for U.S. solar engineering projects. Optimized for off grid solar battery systems ...



[Get Price](#)

Solar Battery Boxes Racks and Enclosures > EcoDirect

EcoDirect offers battery boxes, racks and enclosures for off-grid energy storage applications in solar PV systems. These products support the most common battery types.



[Get Price](#)

Battery Enclosures & Cabinets

This product is perhaps more commonly called a "solar battery box" but is also referred to as a "pole mount battery box". Some battery boxes are large enough to be considered battery cabinets and are ...

[Get Price](#)



Battery Racks & Enclosures

We stock a wide range of racks and enclosures for the varying types of solar power systems. Whether you need to house one battery or 12, we have what you need. We carry high-quality products from ...

[Get Price](#)

Solar Battery Boxes and Enclosures for Sale

Unbound Solar carries durable solar battery boxes and enclosures that are perfect for your off-grid or grid-tie with battery backup system. Browse today.

[Get Price](#)



Solar Battery Cabinet Equipment Enclosures for on-grid or off-grid ...

Our solar battery cabinet systems are storing Pylontech lithium-iron phosphate



- 
Efficient Higher Revenue
 - Max. Efficiency 97.5%
 - Max. PV Input Voltage 600V
 - 150% Peak Output Power
 - 2 MPPT Trackers, 150% DC Input Oversizing
 - Max. PV Input Current 16A, Compatible with High Power Modules
- 
Intelligent Simple O&M
 - IP65 Protection Degree: support outdoor installation
 - Smart I-V Curve Diagnosis Function: locate PV string faults accurately and automatically detect faults
 - DC & AC Type II SPD: prevent lightning damage
 - Battery Reverse Connection Protection
- 
Flexible Abundant Configuration
 - Plug & Play, EPS Switching Under 30ms
 - Compatible with Lead-acid and Lithium Batteries
 - Max. 6 Units Inverters Parallel
 - AFCI Function (Optional): when an arc fault is detected the inverter immediately stops operation

(LiFePO) batteries, in particular the US3000C rack mounted battery modules. We install these in a purpose built cabinet ...

[Get Price](#)

2/6 Cabinet, Solar Battery Box (Holds 4 Batteries)

Need to integrate a back panel with a charge controller and a battery? We can design, build, and integrate a complete system for your solar battery enclosure! Take the guesswork out of your solar ...



[Get Price](#)



Solar Battery Enclosure

Protect your solar batteries with our tested, waterproof enclosures today! KDM solar battery cabinets provide you with the ultimate outdoor dust-tight, watertight, and weatherproof solution for your solar ...

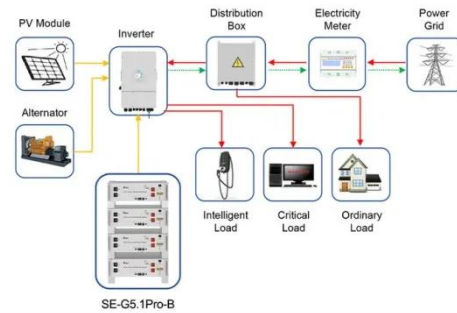
[Get Price](#)

Solar Battery Storage Cabinet

Constructed with long-lasting materials and sophisticated technologies inside, the storage cabinet reliably works even

under extreme environmental conditions. Thus, this product would turn out very ...

[Get Price](#)



Application scenarios of energy storage battery products

Contact Us

For catalog requests, pricing, or partnerships, please visit:
<https://cannabiswow.es>

