

Solar water pump inverter room design



Solar water pump inverter room design



Solar Powered Water Systems: step-by-step design examples

Section 2.2.5 Existing Water System Losses states that a daily loss of five to ten percent is considered acceptable. Since this system will use all new components and be installed by qualified contractors, ...

[Get Price](#)

Design Selection and Installation of Solar water Pumping Systems

This guideline provides the minimum knowledge required when designing, selecting and installing a solar water pumping system. When designing a solar pumping system, the designer must match the ...



[Get Price](#)



Design Ideas for Integrating Solar Water Pump Inverters into Your

Design Ideas for Integrating Solar Water Pump Inverters into Your System provides invaluable guidance for designing and implementing an efficient and reliable solar water pumping system.

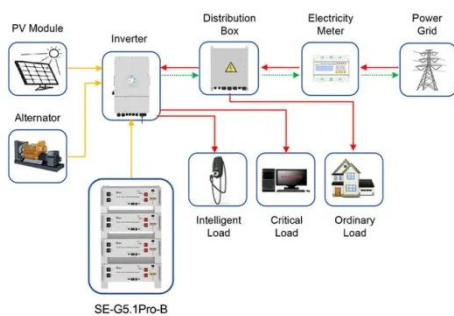
[Get Price](#)

Mastering Solar Pump Inverters: A 4-Point Guide for Reliable System Design

Learn how to choose and install a solar pump inverter with this 4-step guide. Understand sizing, benefits, and key considerations for efficient and reliable water systems.



[Get Price](#)



Application scenarios of energy storage battery products

How to Design a Solar Pump System: A Step-by-Step Tutorial

Today we will explore the fundamental aspects related to solar module fields used in pumping with variable frequency drives, from the choice and design of the ...

[Get Price](#)

[Technical article] How to design a solar pumping system with inverters

Today we will explore the fundamental aspects related to solar module fields used in pumping with variable frequency drives, from the choice and design of the installation to practical tips and common ...

[Get Price](#)





Solar water pump inverter room design

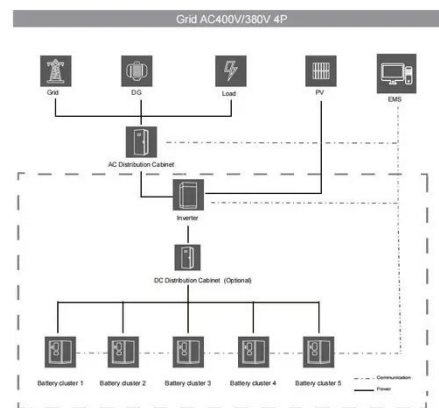
This comprehensive guide will teach you how to design a solar photovoltaic powered DC water pump system step by step, ensuring optimal performance and long-term reliability.

[Get Price](#)

SOLAR PUMPING

Using the simplified calculation formulas (Chapter 2), you will be able to verify the sizing of the system as proposed by the supplier(s), and ascertain whether the number of panels, the power of the pump ...

[Get Price](#)



- LIQUID/AIR COOLING
- INTELLIGENT INTEGRATION
- PROTECTION IP54/IP55
- BATTERY /6000 CYCLES



How to Design a Solar Pump System: A Step-by-Step Tutorial

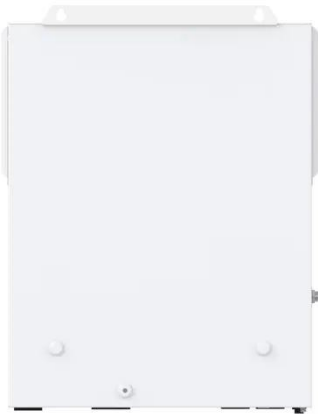
In this tutorial, we delve into the intricacies of designing a solar pump system, a sustainable solution harnessing solar energy for water pumping. Ideal for remote or off-grid locations, ...

[Get Price](#)

How to Design and Select a Solar Water Pumping System: A ...

In this guide, we'll break down the essential steps for designing and selecting a solar water pumping system while incorporating practical tips to ensure optimal performance.

[Get Price](#)



Solar Water Pumping

Planning for a solar pumping application starts much like any other pumping application, with a determination of the design daily water demand. Current and future demands should be considered, ...

[Get Price](#)

Contact Us

For catalog requests, pricing, or partnerships, please visit:
<https://cannabiswow.es>

